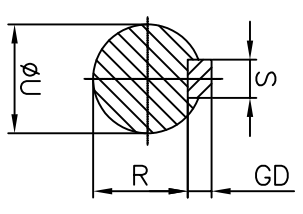
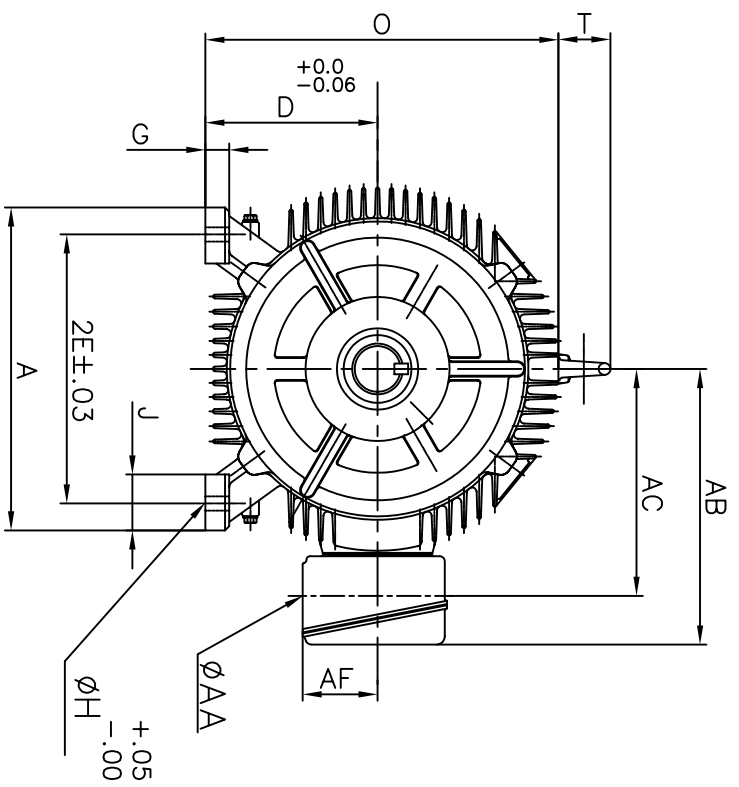
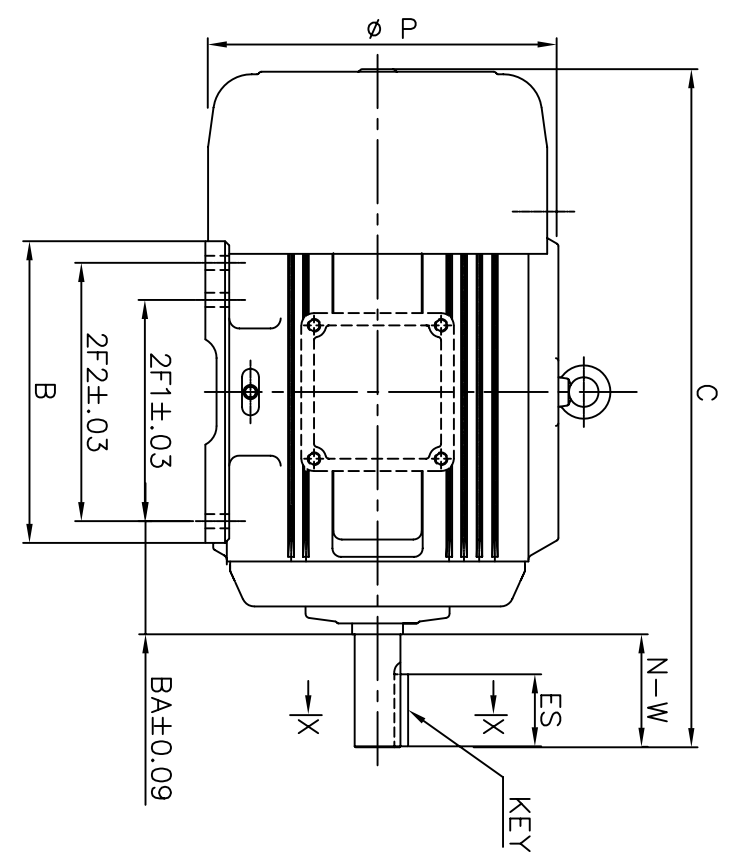




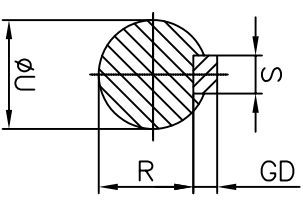
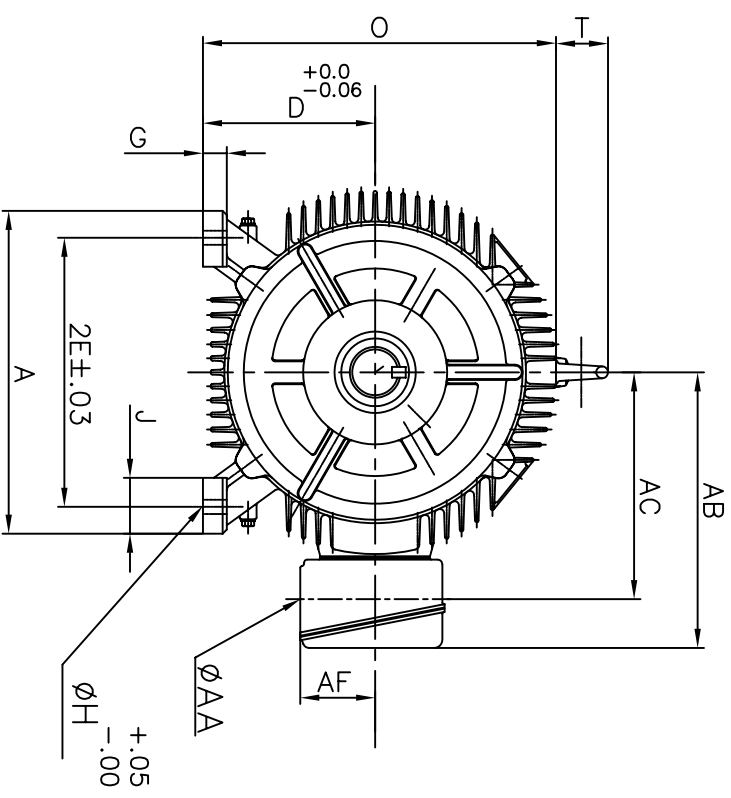
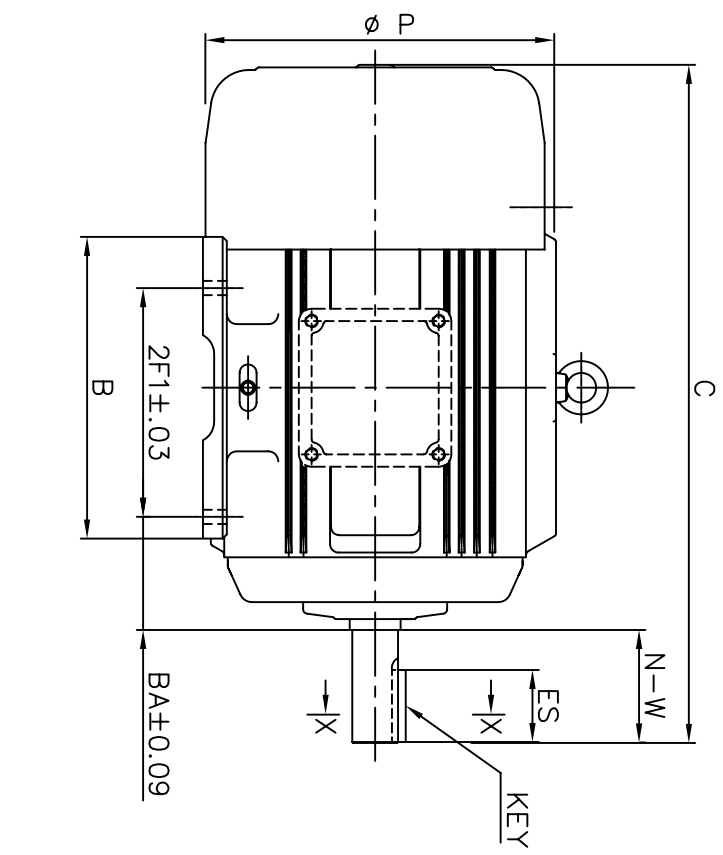
# NEMA FRAME 215T-OWP MOTORS



DIMENSION— INCHES

A	B	C	D	2E	2F1	2F2	G	H	J	BA	P	U	R	N-W	KEY		AB	AC	AF	AA	O	T	
10	8.5	20.3	5.25	8.5	5.5	7	0.63	0.41	1.9	3.5	10.6	1.375	1.201	3.38	S	GD	ES	7.5	8.65	2.5	1	10.6	2

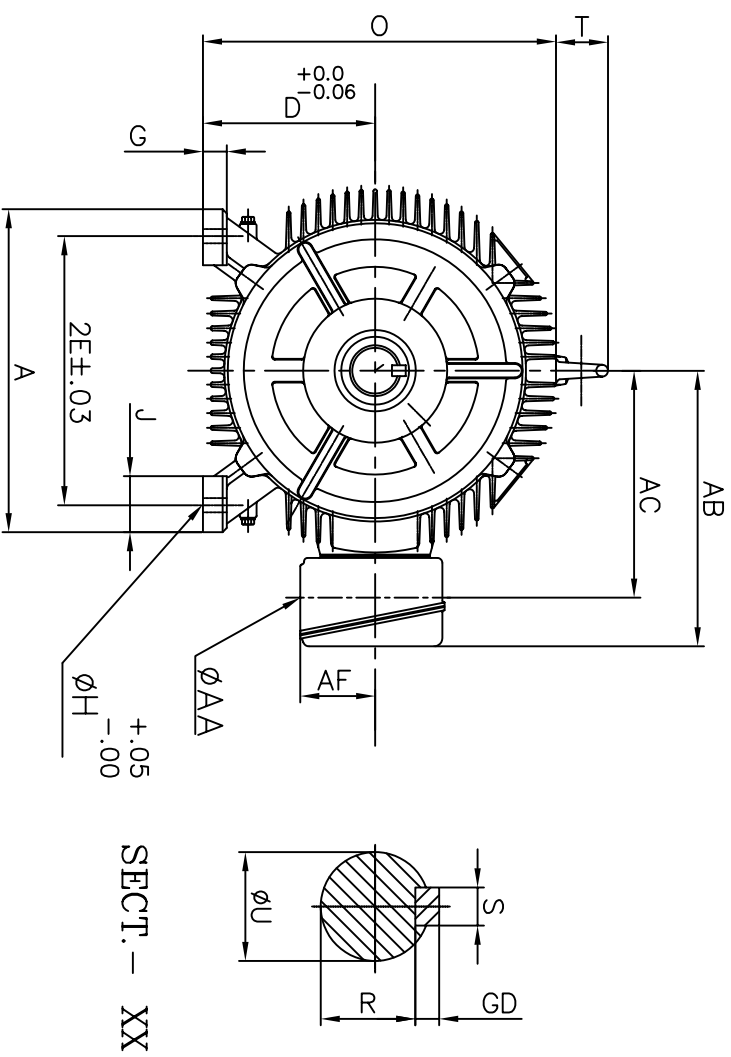
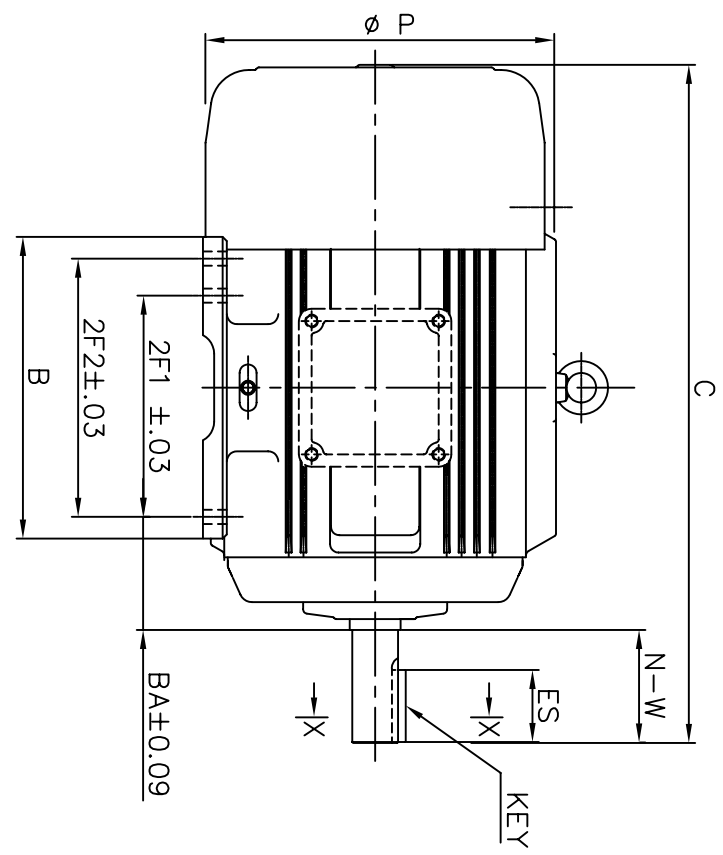
# NEMA FRAME 254T-OWP MOTORS



DIMENSION - INCHES

A	B	C	D	2E	2F1	G	H	J	BA	P	U	R	N-W	KEY		AB	AC	AF	AA	O	T	
12.15	11.75	23.5	6.25	10	8.25	0.87	0.55	2.9	4.25	12.5	1.625	1.416	4	s	GD	ES	10.5	9.9	2.8	1 <sup>1</sup> / <sub>4</sub>	12.7	2.08

# NEMA FRAME 256T-OWP MOTORS

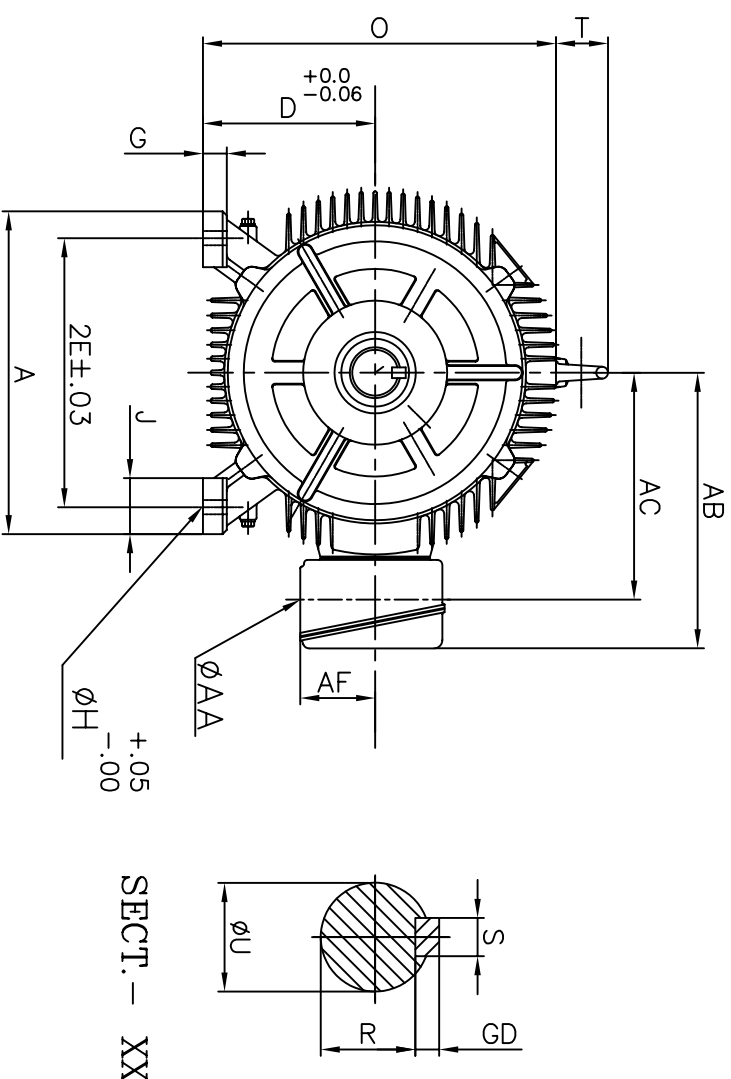
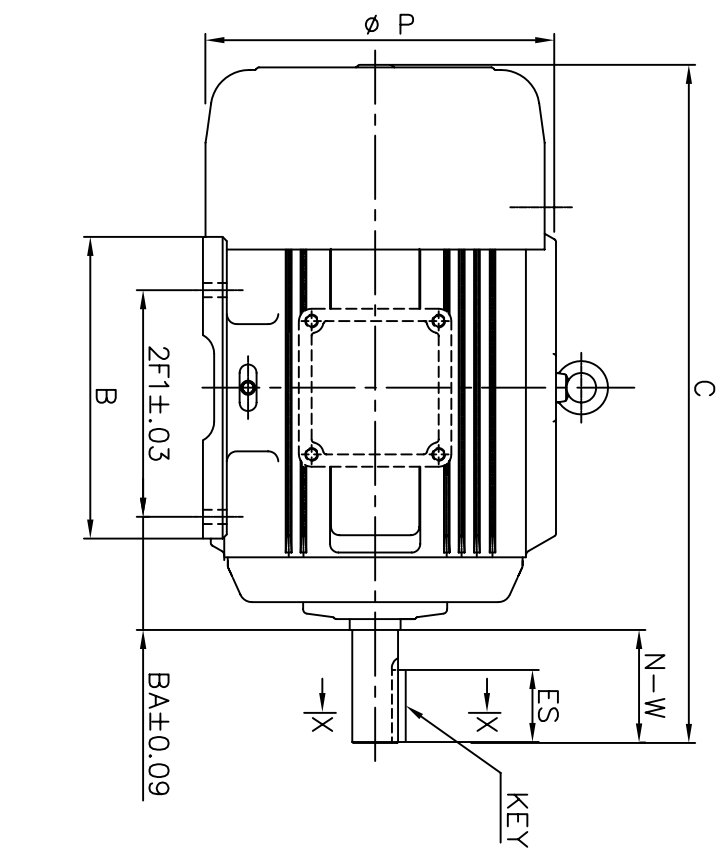


SECT. - XX

DIMENSION - INCHES

A	B	C	D	2F	2F1	2F2	G	H	J	BA	P	U	R	N-W	KEY			AB	AC	AF	AA	O	T
12.15	11.75	25.3	6.25	10	8.25	10	0.87	0.55	2.9	4.25	12.5	1.625	1.416	4	S	GD	ES	10.5	9.9	2.8	1 1/4	12.7	2.1

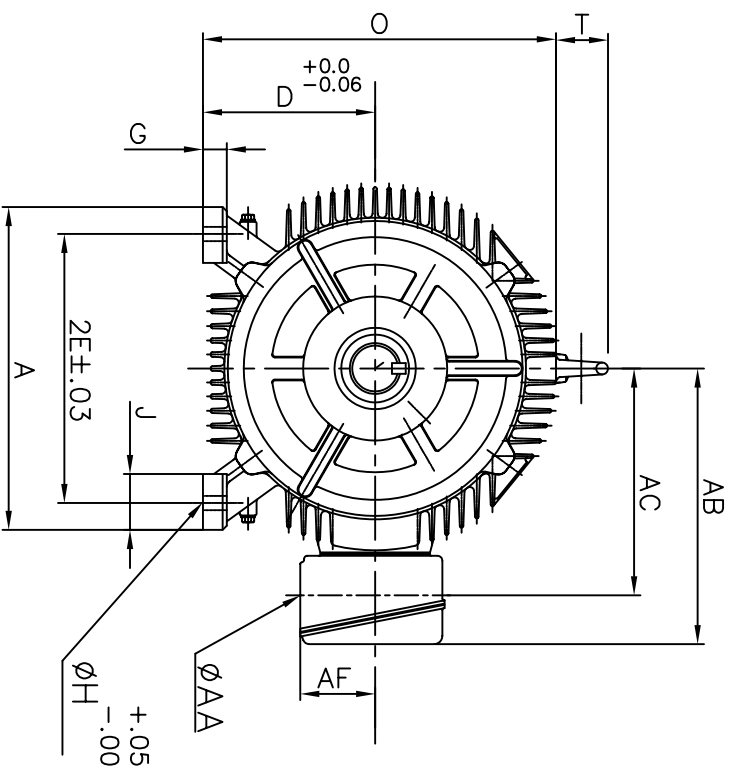
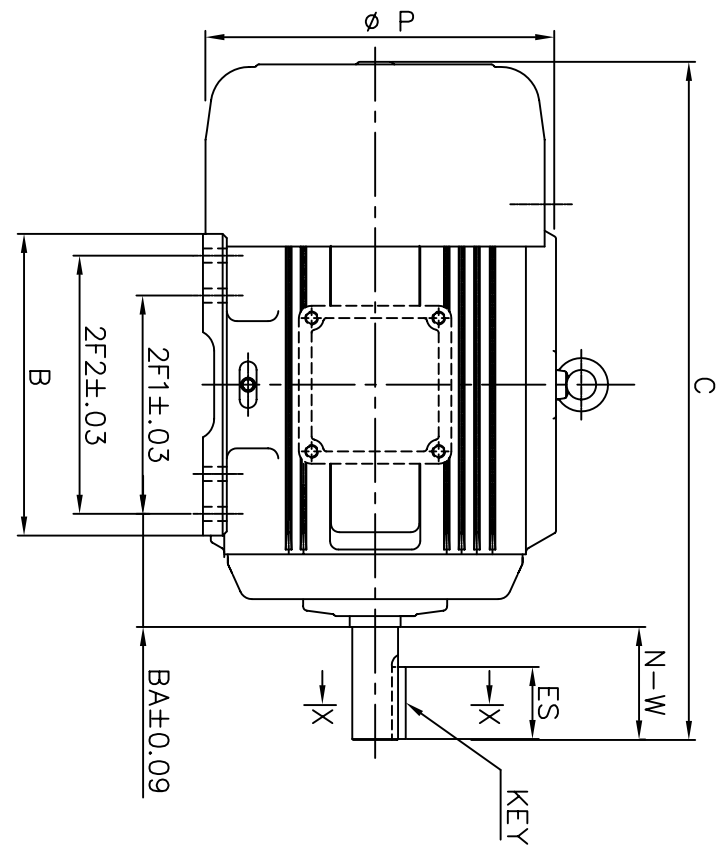
# NEMA FRAME 284T-OWP MOTORS



DIMENSION - INCHES

A	B	C	D	2E	2F1	G	H	J	BA	P	U	R	N-W	KEY			AB	AC	AF	AA	O	T
13.7	12.75	27	7	11	9.5	0.9	0.55	3.3	4.75	13.9	1.875	1.591	4.62	s	GD	ES	11.25	10.67	2.8	1 1/2	14.1	2.4

# NEMA FRAME 286T-OWP MOTORS

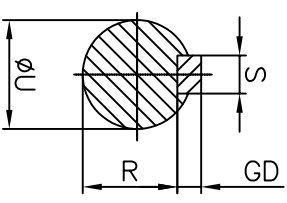
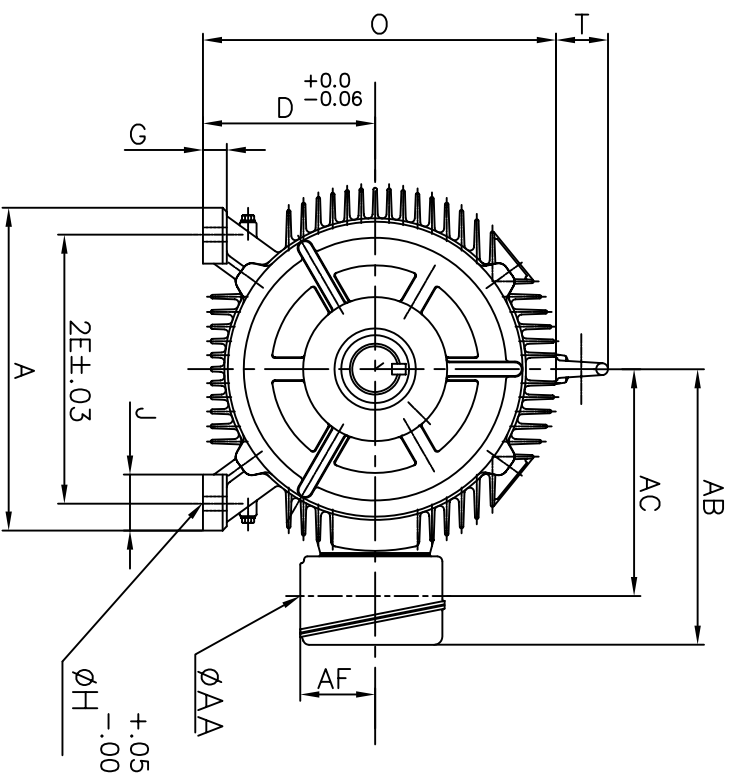
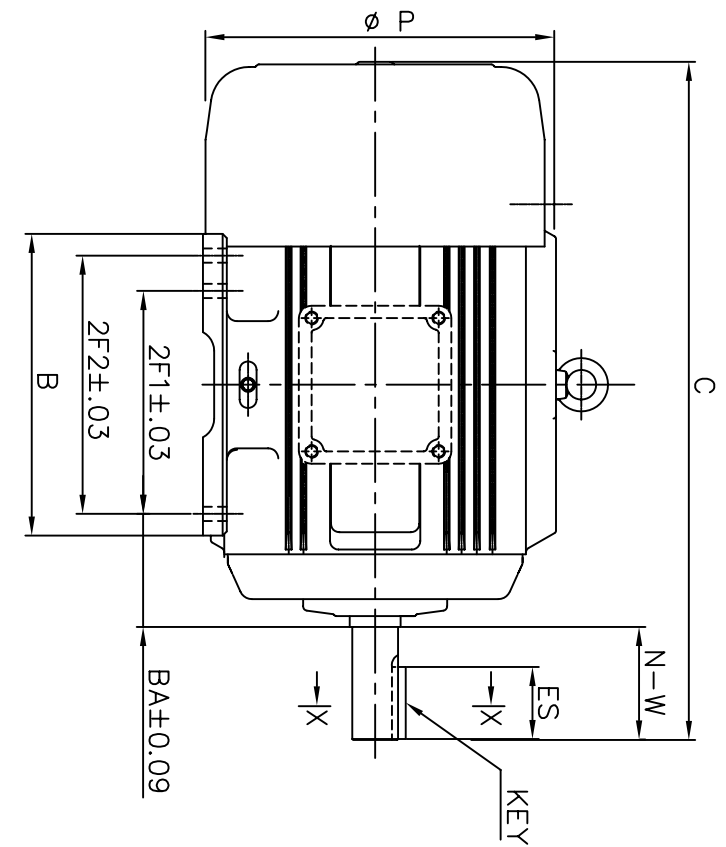


SECT. - XX

DIMENSION - INCHES

A	B	C	D	2E	2F1	2F2	G	H	J	BA	P	U	R	N-W	KEY		AB	AC	AF	AA	O	T	
13.7	12.75	28.5	7	11	9.5	11	0.9	0.55	3.3	4.75	13.9	1.875	1.591	4.62	s	GD	ES	11.25	10.67	2.8	1 <sup>1/2</sup>	14.1	2.4

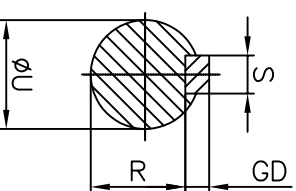
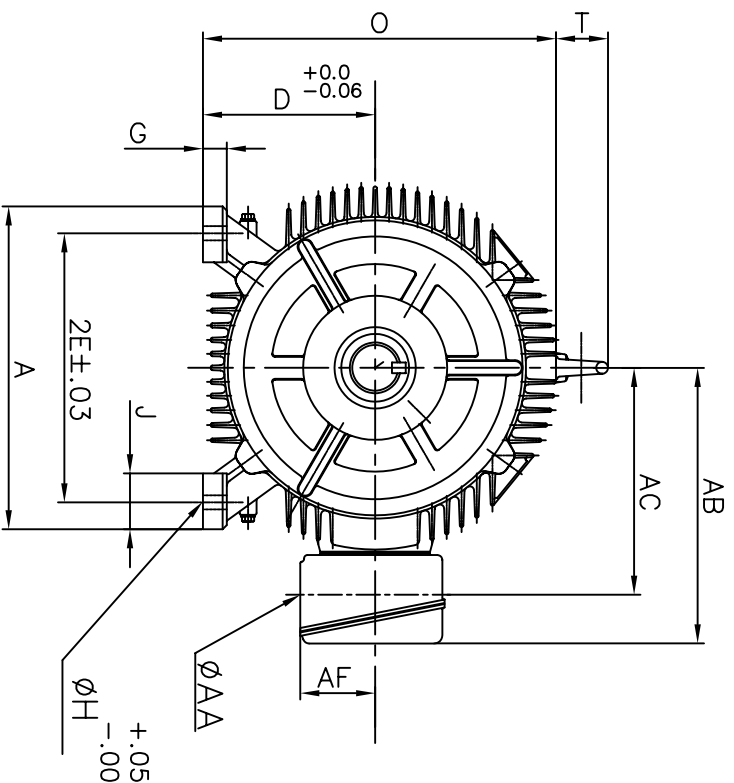
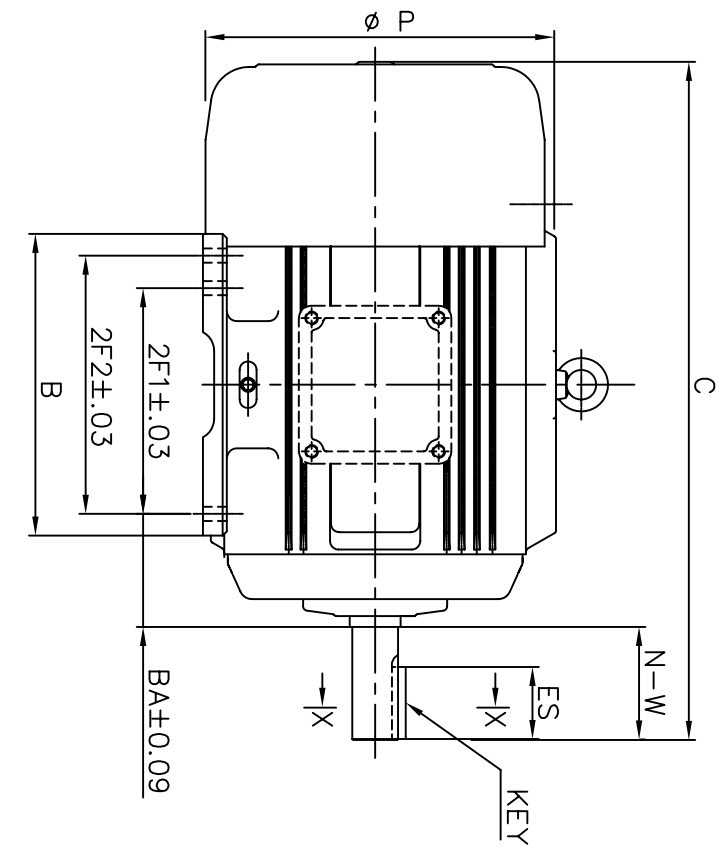
# NEMA FRAME 324T/326T-OWP MOTORS



DIMENSION - INCHES

A	B	C	D	2E	2F1	2F2	G	H	J	BA	P	U	R	N-W	S	KEY		ES	AB	AC	AF	AA	O	T
15	14	33.7	8	12.5	10.5	12	1	0.66	2.6	5.25	16.85	2.125	1.845	5.25		0.500	GD		GD	3.91	13.2	12.45	2.8	2

# NEMA FRAME 364T/365T-OWP MOTORS

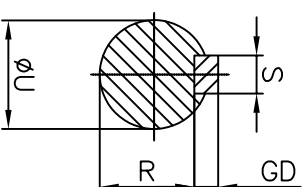
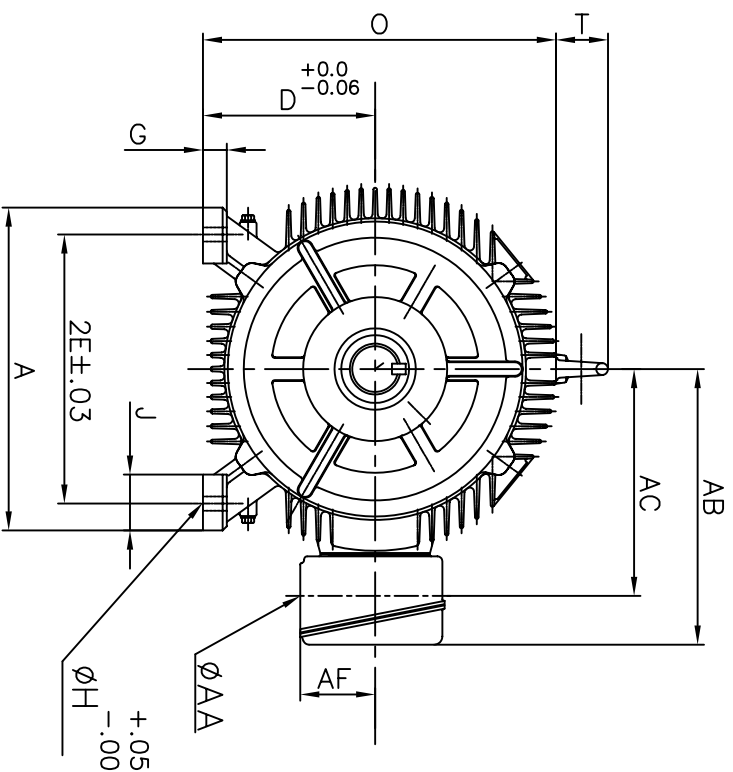
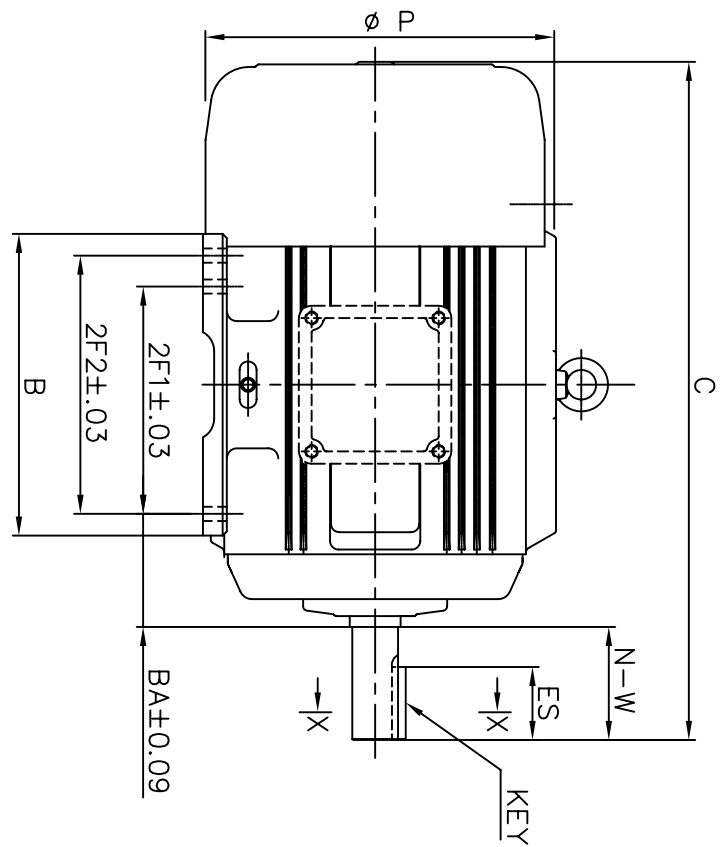


SECT. - XX

DIMENSION - INCHES

A	B	C	D	2E	2F1	2F2	G	H	J	BA	P	U	R	N-W	KEY			AB	AC	AF	AA	O	T
16.75	15.75	35.1	9	14	11.25	12.25	1	0.66	2.75	5.88	18.5	2.375	2.021	5.88	S	GD	ES	16	15	5.35	3	18.2	2.8

# NEMA FRAME 404T / 405T - OWP MOTORS

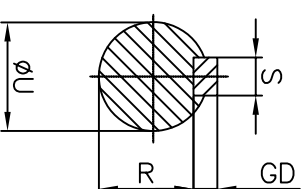
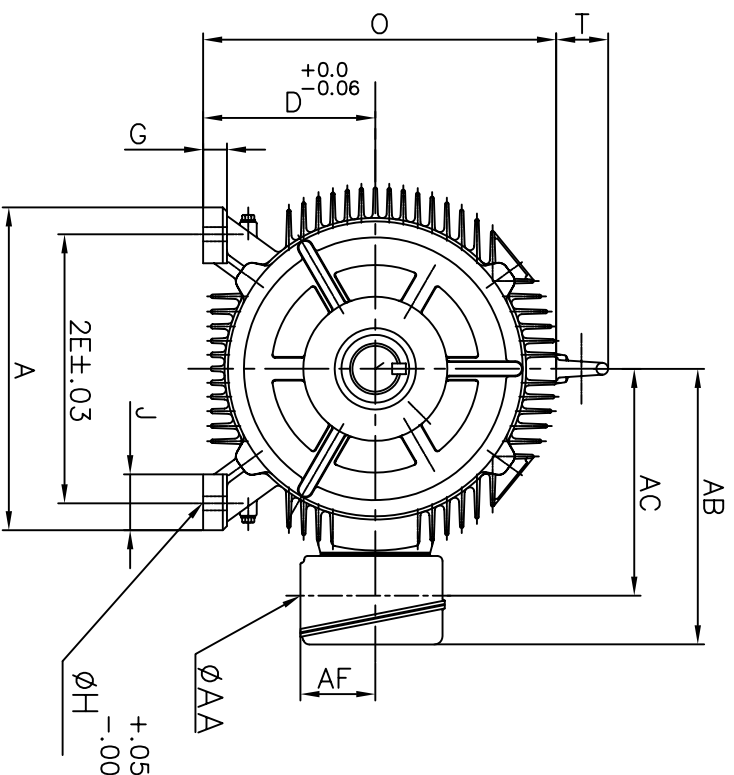
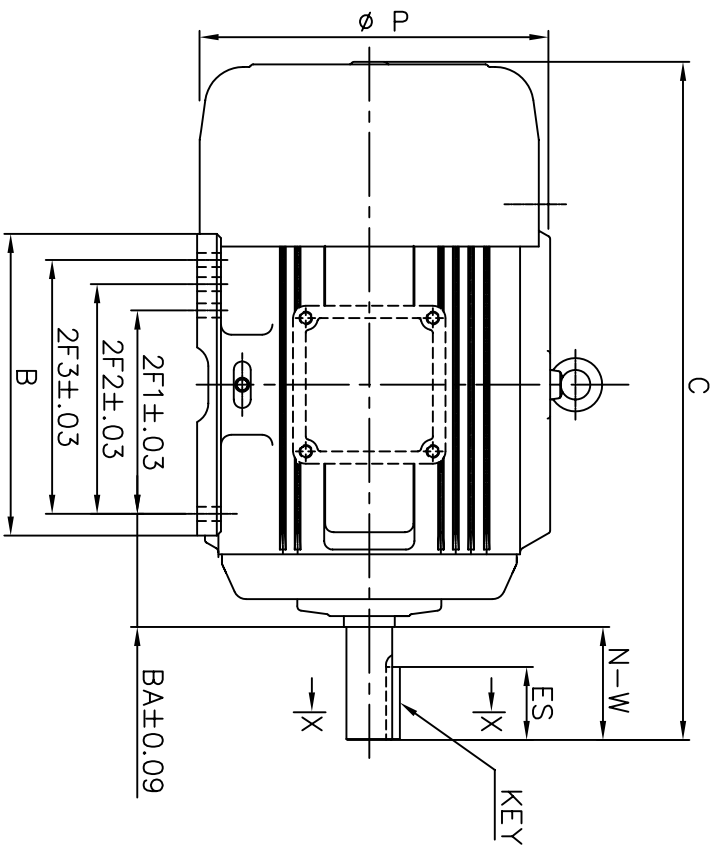


SECT. - XX

DIMENSION - INCHES

A	B	C	D	2E	2F1	2F2	G	H	J	BA	P	U	R	N-W	s	KEY		ES	AB	AC	AF	AA	O	T
19	17.75	40.2	10	16	12.25	13.75	1.25	0.81	3.2	6.62	19.7	2.875	2.45	7.25		0.75	GD		ES	17	15.5	5.4	3	20

# NEMA FRAME 444T / 445T / 447T - OWP MOTORS



DIMENSION - INCHES

A	B	C	D	2E	2F1	2F2	2F3	G	H	J	BA	P	U	R	N-W	s	KEY	GD	ES	AB	AC	AF	AA	O	T
21.25	23.4	50	11	18	14.50	16.5	20.0	1.40	0.81	4.0	7.5	23.15	3.375	2.88	8.5	0.875	0.875	0.875	6.91	18.5	16	5.35	3	24	4.5